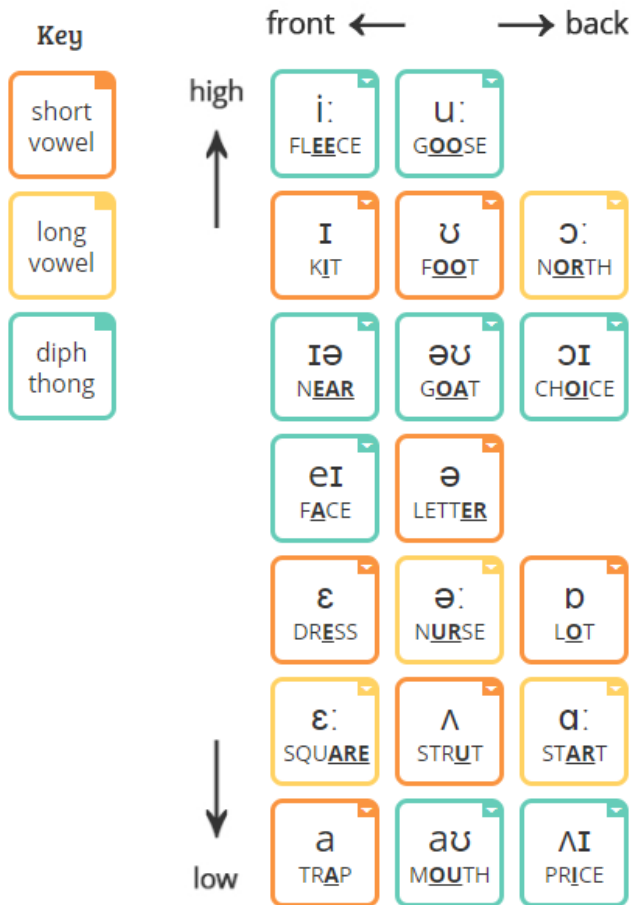


The International Phonetic Alphabet (IPA) Symbols for the Standard English Accent

Vowels



Consonants

